

INSTALLATION AND REMOVAL INSTRUCTIONS FOR CANTO-LOCK LOCKING ASSEMBLY SERIES-1016 & 1016.1

CANTO-LOCK C - 1016 & 10161 Locking Assemblies are supplied ready for installation. If the unit should be dismantled, make sure that in addition to lined-up slits in all collars, near and far-side clamp collars are not reversed. They are assembled correctly if there are no holes or threads behind taps in clamp collar item [2] and no threads behind taps in center collar item [3]. The torque capacity of this device is based on a coefficient of friction of $\mu=0.12$ for lightly oiled screws, tapers, shaft and hub contact areas. Therefore, it is important NOT to use Molybdenum Disulfide (e.g., Molykote, Never -Seeze or similar lubricants) in any Locking Assembly installation.

INSTALLATION

(Refer to fig.1)

1. Make sure that locking screws, rings, shaft and hub contact surfaces are clean and lightly oiled and that all collar slits are aligned.
2. Loosen all screws by minimum 3 turns and transfer at least 2 screws to push-off threads in clamp collar item [2] and center collar item [3] in order to disengage tapers for easy installation of locking assembly (see fig. 1).
3. After installation of locking assembly, relocate locking screws used for separation of collars.
4. Hand tighten connection and assure that collar item [2] is parallel with face of part to be attached to the shaft.
5. Use torque wrench and set it approximately 5% higher than specified tightening torque (Ts). Torque screws in a clockwise pattern, using only 1/4 turns for several passes until 1/4 turns can no longer be achieved.
6. Still apply overtorque for 1-2 more passes. This is required to compensate for a system-related relaxation of locking screws since tightening of a given screw will always relax adjacent screws. Without overtorquing an infinite number of passes would be needed to reach specified tightening torque.
7. Reset torque wrench to specified torque (Ma) and check all locking screws. No screw should turn at this point, otherwise repeat step 6 for 1 or 2 more passes. It is not necessary to re-check tightening torque after equipment has been in operation.

NOTE: for installation subjected to extreme corrosion, the slits in clamp collars item [2] and [4] as well as in center collar item [3] should be sealed with a suitable caulking compound or equivalent. Likewise, push-off threads should also be protected from corrosion.

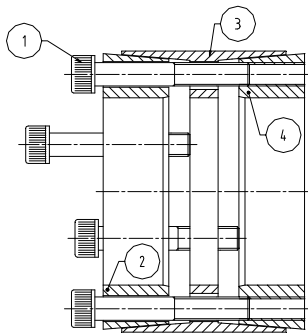


Fig. 1

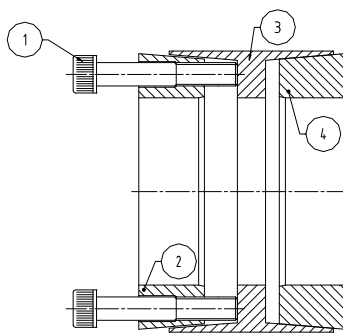


Fig. 2

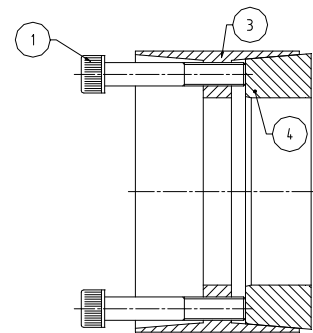


Fig. 3

REMOVAL

(Refer to fig.2 and 3)

NOTE : Prior to initiating the following removal procedure, check to ensure that no torque or thrust loads are acting on the Locking Assembly, shaft or any mounted components.

1. Check to ensure that axial movement of clamp collars - necessary for release of connection - is not restricted. Likewise, ensure that push-off threads are in good conditions.
2. Remove all locking screws and transfer some into all push-off threads in clamp collar item [2].
3. Release collar item [2] by tightening all push-off screws in a crosswise pattern, not exceeding 1/4 turns for several passes.
4. Transfer locking screws used for dismantling of clamp collar item [2] into all push-off threads in center collar item [3]. Release clamp collar item [4] by repeating procedure outlined in step 3.